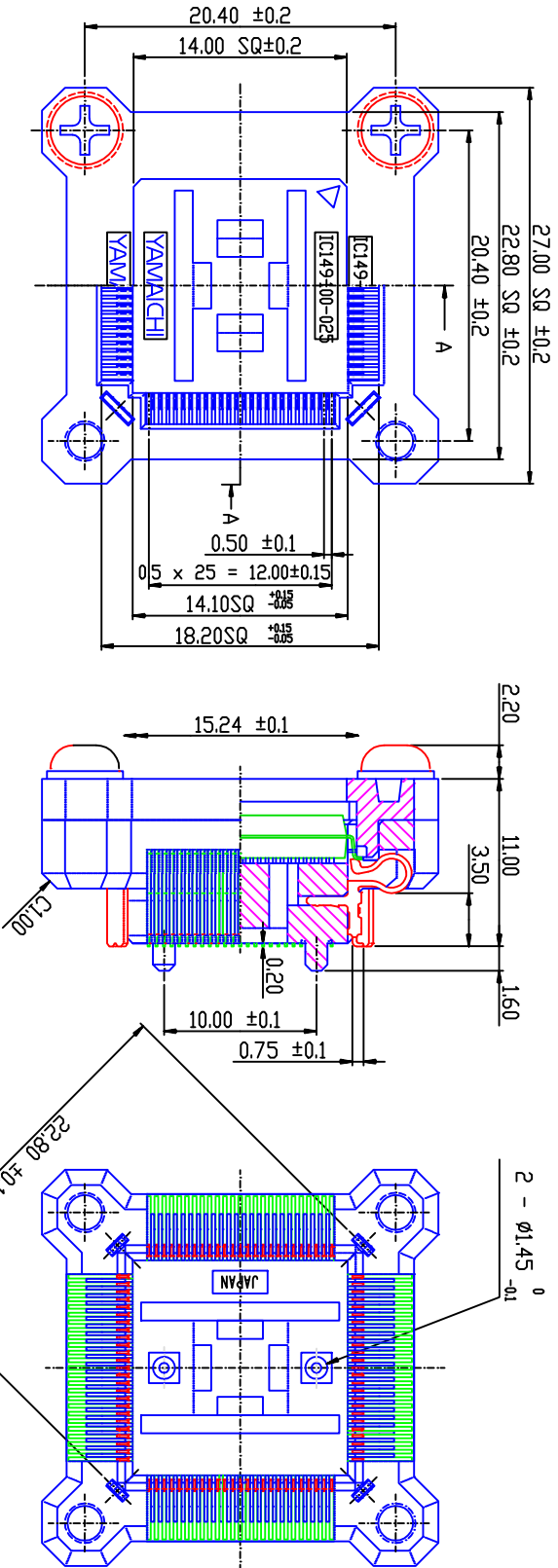


THE DRAWINGS AND INFORMATION CONTAINED HEREIN ARE THE EXCLUSIVE PROPERTY OF ACTEL. THE INFORMATION, DRAWINGS AND DESIGN CONCEPTS CONTAINED HEREIN ARE CONFIDENTIAL/PROPRIETARY, SHALL BE MAINTAINED IN STRICT CONFIDENCE, AND SHALL NOT BE RELEASED TO ANY THIRD PARTY WITHOUT THE EXPRESS WRITTEN PERMISSION OF ACTEL.



- Notes:
- Controlling dimensions are in millimeters.
 - Yamaichi socket number IC149-100-125-S5.

REV. NO.	REV.	DESCRIPTION OF CHANGE	APPROVING DATE	ORGANIZATION
980379	0	Initial	12/15/98	R. Kuang

UNLESS OTHERWISE SPECIFIED DIMENSIONS ARE IN MILLIMETERS		PROJECTION		ACTEL CORP 966 E ARQUES AVE SUNNYVALE CA 94086	
DECIMAL	ANGULAR	APPROVALS		TITLE	
XX ±0.10	±1°	DATE	DATE	Yamaichi VQ100	
XXX ±0.05		DRAWN	10/21/98	Surface Mount Socket-alignment Pins	
XXXX ±0.03		CHECKED		SIZE	
MATERIAL	SEE NOTES	ENG'N		YMAICHI	
FINISH	SEE NOTES	RELEASED		YMAICHI	
DO NOT SCALE DRAWING				ACTEL Part#: SY-VQ100-1	
				SCALE: NONE	
				SHEET 1 OF 2	

ACTEL CONFIDENTIAL