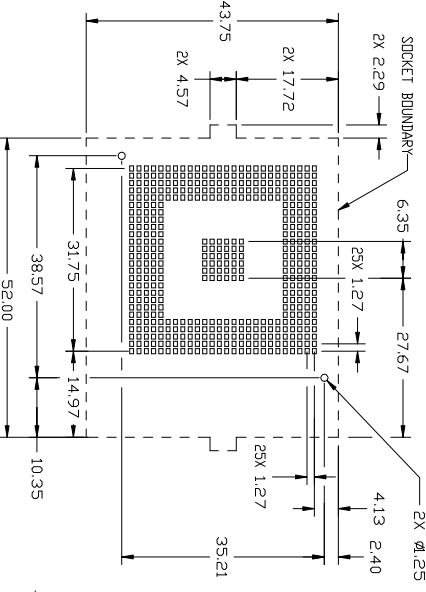
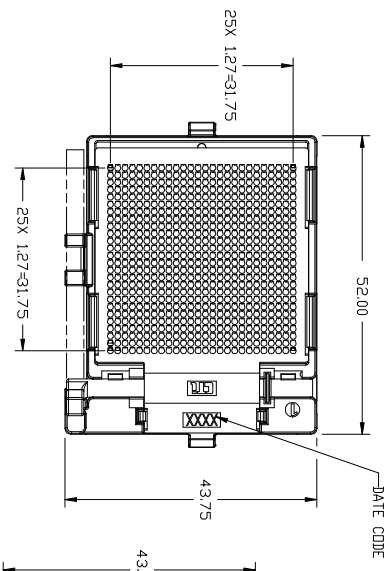
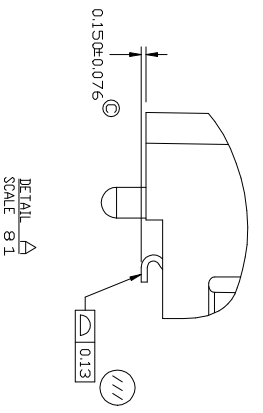
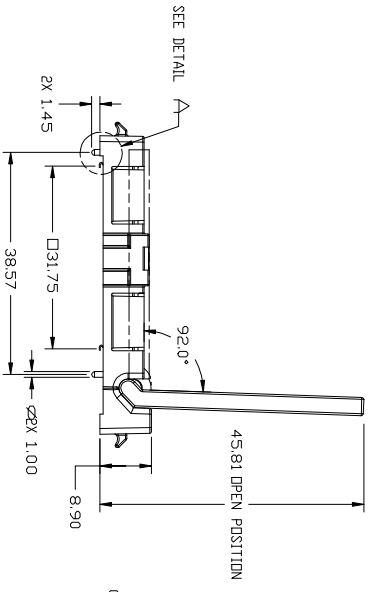


THE DRAWINGS AND INFORMATION CONTAINED HEREIN ARE THE EXCLUSIVE PROPERTY OF ACTEL. THE INFORMATION, DRAWINGS AND DESIGN CONCEPTS CONTAINED HEREIN ARE CONFIDENTIAL/PROPRIETARY. SHALL BE MAINTAINED IN STRICT CONFIDENCE, AND SHALL NOT BE RELEASED TO ANY THIRD PARTY WITHOUT THE EXPRESS WRITTEN PERMISSION OF ACTEL.

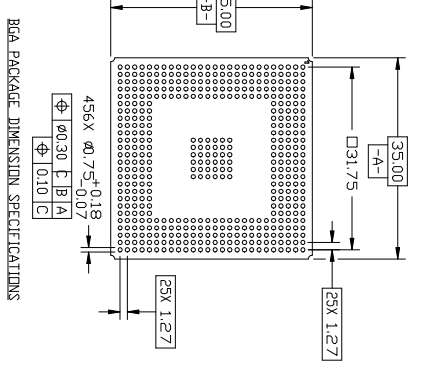
ECN NO.	REV.	DESCRIPTION OF CHANGE	EFFECTIVE DATE	ORIGINATOR
990092	0	Initial	3/30/99	Ray Kuang



RECOMMENDED PCB PAD PATTERN



DETAIL A  
SCALE 8:1



BGA PACKAGE DIMENSION SPECIFICATIONS

- MATERIAL:
- 1) ALL PLASTIC COMPONENTS - PPS/PEI OR EQUIV.
  - 2) CAM - ZINC-ALUMINUM
  - 3) CONTACTS - BeCu, SnPb OVER Ni PLATING.

LEGEND	NUMBER OF USES
⊙	CRITICAL
⊙	NUMBER OF USES

UNLESS OTHERWISE SPECIFIED DIMENSIONS ARE IN MILLIMETERS	ANGULAR
XX ±0.10	±1°
XXX ±0.05	
XXXX ±0.03	

PRODUCTION	APPROVALS	DATE
DO NOT SCALE DRAWING	SEE NOTES	RELEASED

ACTEL CORP	SUNNYVALE, CA 94088	TITLE
955 B ARQUES AVE		Z-1-DK Surface Mount Socket for PB6453x35mm-456-127mm ball pitch
VERSION NUMBER	VEILS-CT1	ACTEL DWG. NUMBER
8635-456-0-00		1-67-09036
VERSION STUDY/REV. NUMBER		ACTEL DWG. NUMBER
		1-67-09036
SCALE: NONE		REV 0
		REV B



ACTEL CONFIDENTIAL