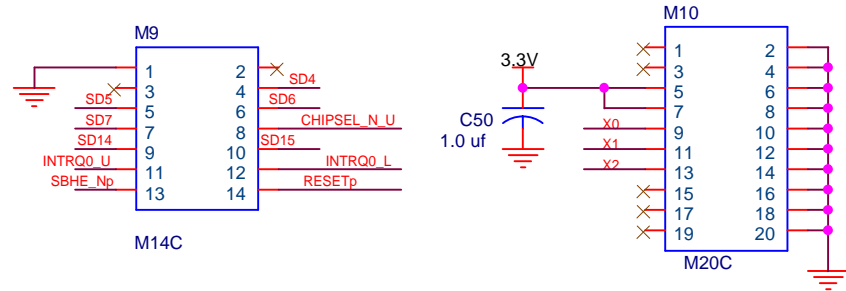
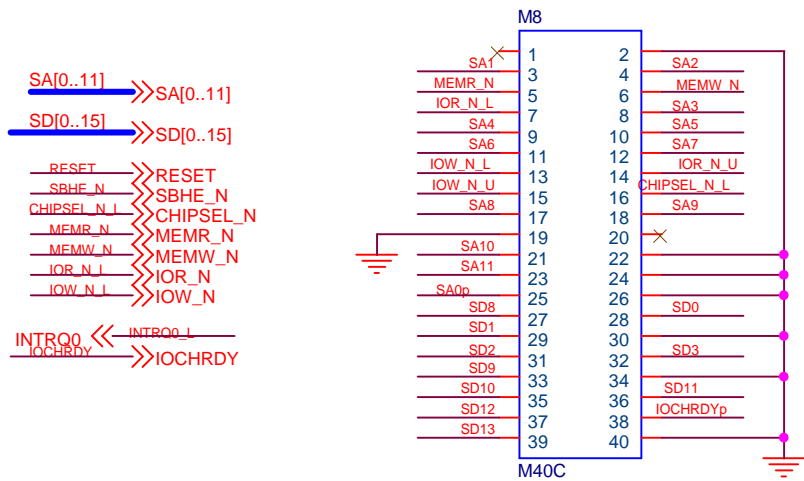
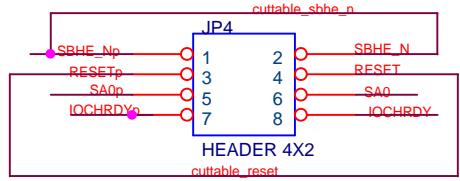


|                        |                           |              |
|------------------------|---------------------------|--------------|
| Title                  |                           |              |
| ETHERNET DAUGHTER CARD |                           |              |
| Size                   | Document Number           | Rev          |
| A                      | NIAK                      | B            |
| Date:                  | Wednesday, April 25, 2001 | Sheet 1 of 3 |

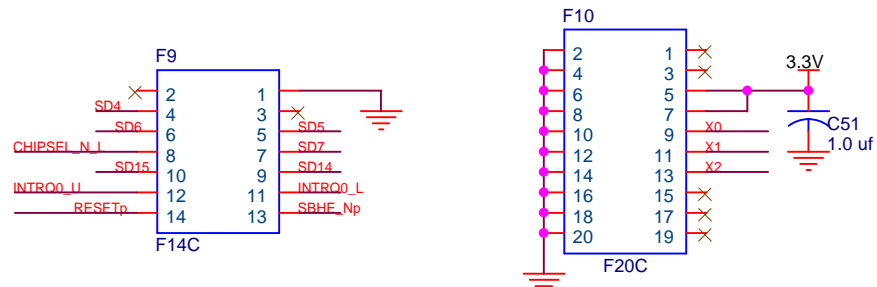
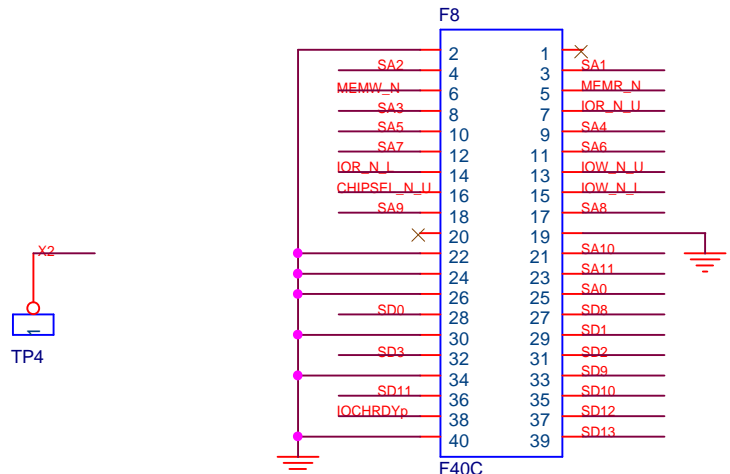


Connector ([M/F]xxC): ssw-1xx-22-g-d-vs-k and either tsm-1xx-03-s-dv or hw-xx-17-g-d-225-sm where xx is number of pins per row (20, 10, 07) (M denotes MALE; F denotes FEMALE.)

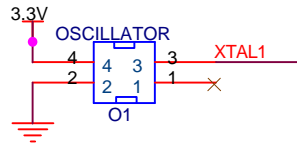
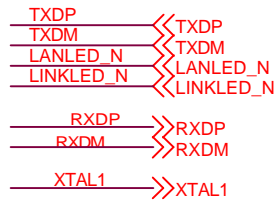


Do NOT populate JP4. If everything works as per specs, jumper block JP4 should be left OPEN irrespective of module being in upper or lower position.

Note that JP4[1-2,3-4] are cuttable preshorts.

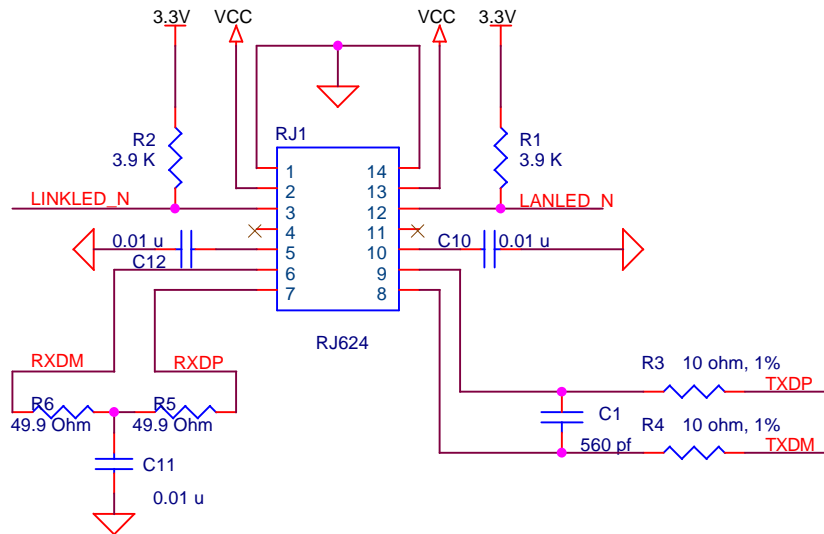


|                        |                           |              |
|------------------------|---------------------------|--------------|
| Title                  |                           |              |
| ETHERNET DAUGHTER CARD |                           |              |
| Size                   | Document Number           | Rev          |
| A                      | NIAK                      | B            |
| Date:                  | Wednesday, April 25, 2001 | Sheet 2 of 3 |

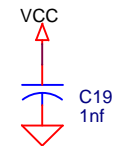
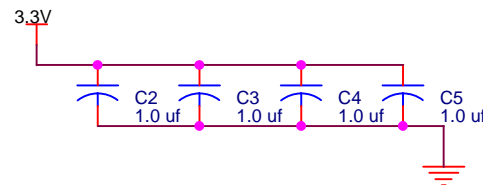
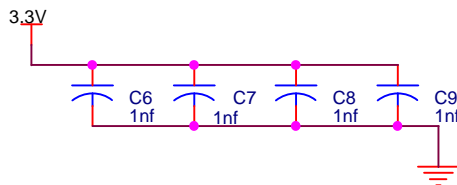


Notes:

- 1) Resistors other than R1 and R2 are 1%.
- 2) Oscillator pin assignments have not been checked.
- 3) Circuitry for interfacing to the RJ624 connector is designed for 100 Ohm cables.
- 4) First populate C12 but not C11; if that doesn't work then depopulate C12; if that doesn't work then populate C11.
- 5) Since cables will be inserted and pulled out of this surface mount part, it is important to have strong bonds between PCB trace and substrate; and good solder joint between pads and part -- note that pads 1 and 14 are extra large. Also, connector has a means to apply epoxy glue to its underside for additional mechanical attachment strength.



3.3V and VCC should meet through high-impedance trace



|                        |                           |              |
|------------------------|---------------------------|--------------|
| Title                  |                           |              |
| ETHERNET DAUGHTER CARD |                           |              |
| Size                   | Document Number           | Rev          |
| A                      | NIAK                      | B            |
| Date:                  | Wednesday, April 25, 2001 | Sheet 3 of 3 |